



Standard Specification for Joints for Drain and Sewer Plastic Pipes Using Flexible Elastomeric Seals¹

This standard is issued under the fixed designation D 3212; the number immediately following the designation indicates the year of original adoption or, in the case of revision, the year of last revision. A number in parentheses indicates the year of last reapproval. A superscript epsilon (ϵ) indicates an editorial change since the last revision or reapproval.

This standard has been approved for use by agencies of the Department of Defense.

1. Scope

1.1 This specification covers joints for plastic pipe systems intended for drain, and gravity sewerage pipe at internal or external pressures less than 25-ft head using flexible watertight elastomeric seals. This specification is intended to cover the test requirements, test methods, and acceptable materials. The test methods described for the joints are not intended to be routine quality control tests but to be reliability or performance requirements.

1.2 The text of this specification references notes, footnotes, and appendixes which provide explanatory material. These notes and footnotes (excluding those in tables and figures) shall not be considered as requirements of the specification.

1.3 The following safety hazards caveat pertains only to the test method portion, paragraph 7.5, of this specification: *This standard does not purport to address all of the safety concerns, if any, associated with its use. It is the responsibility of the user of this standard to establish appropriate safety and health practices and determine the applicability of regulatory limitations prior to use.*

2. Referenced Documents

2.1 ASTM Standards:

D 2122 Test Method for Determining Dimensions of Thermoplastic Pipe and Fittings²

F 477 Specification for Elastomeric Seals (Gaskets) for Joining Plastic Pipe²

F 913 Specification for Thermoplastic Elastomeric Seals (Gaskets) for Joining Plastic Pipe²

3. Types

3.1 This specification covers two types of joints based on effecting watertightness through compression of an elastomeric seal or ring:

3.1.1 *Push-on Joint*—A joint in which an elastomeric ring gasket is compressed in the annular space between a bell end or socket and a spigot end of pipe.

3.1.2 *Mechanical Joint*—A joint made using mechanical means or devices to develop a pressure seal.

4. Materials

4.1 Material used for elastomeric seal in push-on joints shall meet the requirements of either Specification F 477 or F 913.

4.2 *Lubricant*, if required, shall be suitable for lubricating the parts of the joints in the assembly. The lubricant shall have no deteriorating effects on the gasket and pipe materials.

5. General Requirements

5.1 Joints shall not leak when subjected to the internal and external hydrostatic tests of Section 7 for a period of 10 min.

5.2 All surfaces of the joint upon or against which the gasket bears shall be smooth and free of cracks, fractures, or imperfections.

5.3 *Drawings*—The manufacturer shall furnish drawings of the joint and gasket if requested by the purchaser.

5.4 The gasket shall be the sole element depended upon to make the joint flexible and watertight. The gasket shall be a continuous elastomeric ring.

5.5 In mechanical joints, the pipe spigot shall have a wall thickness sufficient to withstand, without deformation or collapse, the compressive force exerted when the fitting is tightened.

5.6 Some joint designs provide for the angular deflection of a pipe joint, without reducing watertightness. Where greater deflections are required than permitted by the joint design, suitable fittings must be provided.

5.7 The joint components shall be of such design that they will withstand the forces caused by the compression of the gasket when joined without cracking or fracturing when tested in accordance with the requirements of the pipe manufacturer.

¹ This specification is under the jurisdiction of ASTM Committee F17 on Plastic Piping Systems and is the direct responsibility of Subcommittee F17.20 on Joining.

Current edition approved Aug. 10, 2003. Published September 2003. Originally approved in 1973. Last previous edition approved in 1996 as D 3212 – 96a.

² *Annual Book of ASTM Standards*, Vol 08.04.

6. Dimensions and Tolerances

6.1 Dimensions of the joint components shall be in accordance with the manufacturer’s standard design dimensions and tolerances. Such dimensions shall be gaged at sufficiently frequent intervals to assure dimensional control and satisfactory joint assembly. The method for measuring these dimensions shall be in accordance with Test Method D 2122.

6.2 Gasket dimensions shall be in accordance with the manufacturer’s standard design dimensions and tolerances. The gasket shall be of such size and shape as to provide an adequate compressive force against the spigot and socket after assembly, to effect a positive seal under all combinations of joint and gasket tolerances, when tested in accordance with Section 7.

7. Joint Qualification Requirements

7.1 Assemble a piece of pipe into a bell or fitting as shown in Fig. 1. Seal the openings, using either solvent cement caps as shown, or mechanical sealing devices. The gasket shall be lubricated as instructed by the manufacturer. Use water in the absence of other lubricants.

7.2 Perform the pressure and vacuum tests as described in 7.5 on two properly joined pipes in straight alignment.

7.3 Deflect the joint to the maximum angular misalignment specified by the manufacturer. With the joint deflected, perform pressure and vacuum tests described in 7.5.

7.4 Using the test fixture shown in Fig. 2, commence measuring deflection when the load contacts the top of the pipe. Apply further load until the point of load application has moved downward 5 % of the pipe outside diameter. Hold this position and perform the tests described in 7.5.

NOTE 1—The 5 % deflection criterion, which was arbitrarily selected

for testing convenience, should not be considered as a limitation with respect to in-use deflection.

7.5 Test Methods:

NOTE 2—It may be found easier to perform all the pressure tests, followed by the vacuum tests, rather than alternate them. As an option, the sequence of tests may be pressure, vacuum, pressure for each condition in 7.2, 7.3, and 7.4.

7.5.1 *Internal Pressure Test*—Fill the assembly with water. External restraints should be provided in the test equipment to prevent separation of the gasket joint under pressure. Apply a pressure of 74 kPa (10.8 psi) (gage) (25-ft head) for 10 min. Visible leaks in the gasket joint constitute a failure.

7.5.2 *Vacuum Test*—(to be conducted after pressure test has seated the gasket): Fill the assembly with air only. Apply a vacuum of 74 kPa (22 in. Hg). Close the valve and remove the vacuum line. Allow the assembly to stand for 10 min to check for leaks before testing. The internal pressure shall not change more than 3 kPa (1 in. Hg). Perform the test required, noting the internal pressure after the test condition is attained and again 10 min later. The internal pressure shall not change more than 17 kPa (5 in. Hg) during this second 10-min period.

8. Retest and Rejection

8.1 If the results of any test(s) do not meet the requirements of this specification, the test(s) shall be conducted again only by agreement between the purchaser and the seller. Under such agreement, minimum requirements shall not be lowered, nor tests omitted, substituted, changed, or modified, nor shall specification limits be changed. If upon retest, failure occurs, the quantity of product represented by the test(s) does not meet the requirements of this specification.

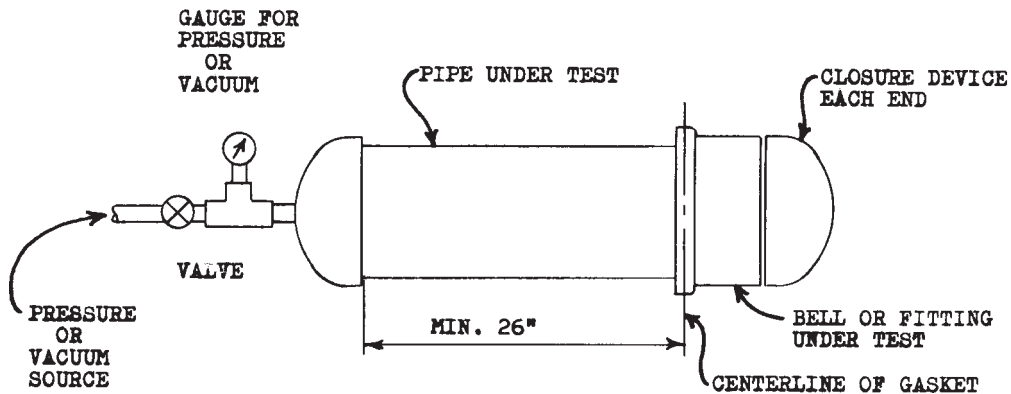
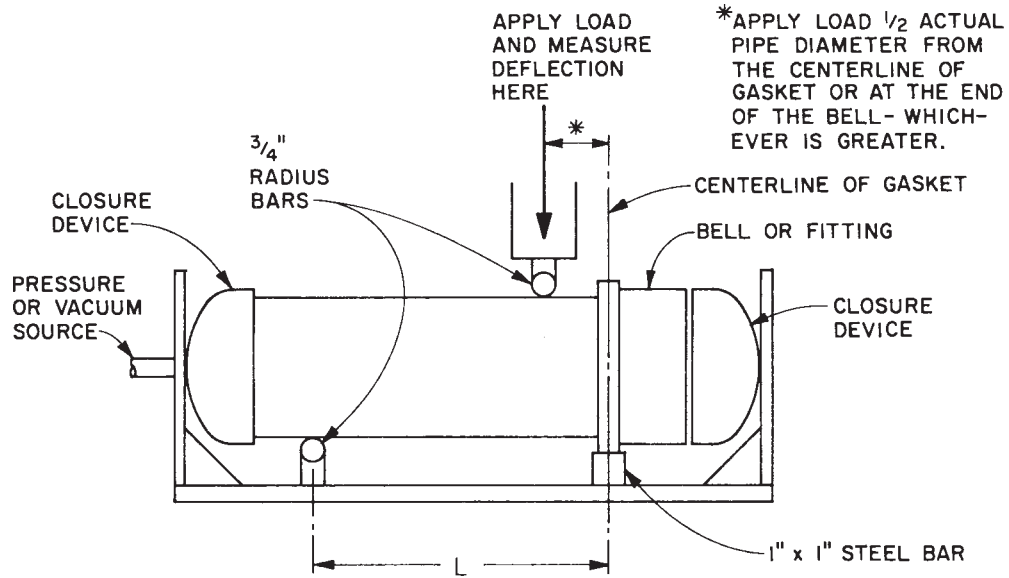


FIG. 1 Test Specimen



NOTE— L = actual pipe diameter or 24 in., whichever is greater.

FIG. 2 Shear Deflection Test

ASTM International takes no position respecting the validity of any patent rights asserted in connection with any item mentioned in this standard. Users of this standard are expressly advised that determination of the validity of any such patent rights, and the risk of infringement of such rights, are entirely their own responsibility.

This standard is subject to revision at any time by the responsible technical committee and must be reviewed every five years and if not revised, either reapproved or withdrawn. Your comments are invited either for revision of this standard or for additional standards and should be addressed to ASTM International Headquarters. Your comments will receive careful consideration at a meeting of the responsible technical committee, which you may attend. If you feel that your comments have not received a fair hearing you should make your views known to the ASTM Committee on Standards, at the address shown below.

This standard is copyrighted by ASTM International, 100 Barr Harbor Drive, PO Box C700, West Conshohocken, PA 19428-2959, United States. Individual reprints (single or multiple copies) of this standard may be obtained by contacting ASTM at the above address or at 610-832-9585 (phone), 610-832-9555 (fax), or service@astm.org (e-mail); or through the ASTM website (www.astm.org).