



## Standard Test Method for Percent Dispersibility<sup>1</sup>

This standard is issued under the fixed designation E 1945; the number immediately following the designation indicates the year of original adoption or, in the case of revision, the year of last revision. A number in parentheses indicates the year of last reapproval. A superscript epsilon ( $\epsilon$ ) indicates an editorial change since the last revision or reapproval.

### 1. Scope

1.1 This test method is used to determine the percent dispersibility of dry pesticide formulations.

1.2 *This standard does not purport to address all of the safety concerns, if any, associated with its use. It is the responsibility of the user of this standard to establish appropriate safety and health practices and determine the applicability of regulatory limitations prior to use.* For specific precautionary statements see Section 7.

### 2. Referenced Documents

2.1 *ASTM Standards:*

D 1126 Test Method for Hardness in Water<sup>2</sup>

D 1193 Specification for Reagent Water<sup>2</sup>

### 3. Summary of Test Method

3.1 A known amount of dry pesticide formulation is added to a 250-mL mixing cylinder that has been filled to volume with standard water. The mixing cylinder is then stoppered and inverted 30 times in two minutes. The mixing cylinder is allowed to stand for 1 min. After 1 min the top 225 mL is drawn off and the remaining suspension is dried. The residue weight will determine percent dispersibility.

### 4. Significance and Use

4.1 This test method is designed specifically for dry formulations.

4.2 This test method may not be applicable to all dry formulations such as those containing either liquid technicals or ingredients that rise to the top upon separation.

4.3 This test method may not be applicable to those technicals that decompose below the drying temperature.

4.4 This test method should be run in duplicate.

4.5 Products containing water soluble or volatile components may result in errors.

### 5. Apparatus

5.1 *Balance*, top loading, with an accuracy of  $\pm 0.01$  g or better.

5.2 *Gravity Oven*.

5.3 *Weighing Dish*, 150 mL capacity or greater.

5.4 *Vacuum Apparatus*, see Fig. 1, equipped with a vented stopper.

5.5 *Mixing Cylinder*, stoppered, 250-mL, flat bottom, KIMAX series 20 039 or equivalent.

5.6 *Timer*, adjustable, with an accuracy of  $\pm 1$  second.

5.7 *Weighing Dish*, aluminum ( $57 \times 18$  mm) or petri dish or equivalent.

5.8 *Filtering Flask*, heavy wall, 500 mL, Kimax Series 27 060 or equivalent.

### 6. Reagents (Test Water)

6.1 *Purity of Reagents*—Reagent grade chemicals shall be used in all tests. Unless otherwise indicated, it is intended that all reagents shall conform to the specifications of the Committee on Analytical Reagents of the American Chemical Society where such specifications are available.<sup>3</sup>

6.2 *Purity of Water*—Unless otherwise indicated, reference to water shall be understood to mean reagent water, Type IV, as defined by Specification D 1193.

NOTE 1—Type IV grade reagent water may be prepared by distillation, ion exchange, reverse osmosis, electro dialysis, or a combination thereof.

6.3 *Synthetic Hard Water Stock*, transfer 12.14 g of anhydrous calcium chloride ( $\text{CaCl}_2$ ) and 5.55 g of magnesium chloride hexahydrate ( $\text{MgCl}_2 \cdot 6\text{H}_2\text{O}$ ) to a 1000-mL volumetric flask. Dissolve the reagents with approximately 750 mL of water and equilibrate to 20°C. Dilute the solution to 1000 mL total volume with water at 20°C, stopper the flask, and mix the solution thoroughly. This mixture is equivalent to 13 680 ppm as calcium carbonate ( $\text{CaCO}_3$ ) and is based on a compositional ratio of 4:1 calcium carbonate to magnesium carbonate.

<sup>1</sup> This practice is under the jurisdiction of ASTM Committee E35 on Pesticides and is direct responsibility of Subcommittee E35.22 on Pesticide Formulation and Application Systems.

Current edition approved Nov. 10, 2002. Published January 2003. originally approved in 1998. last previous edition approved in 1998 as E1945-98.

<sup>2</sup> *Annual Book of ASTM Standards*, Vol 11.01.

<sup>3</sup> Reagent Chemicals, American Chemical Society Specifications, American Chemical Society, Washington, DC. For suggestions on the testing of reagents not listed by the American Chemical Society, see *Analar Standards for Laboratory Chemicals*, BDF Ltd., Poole, Dorset, U.K., and the United States Pharmacopoeia and National Formulary, U.S. Pharmaceutical Convention, Inc., (USPC), Rockville, MD.

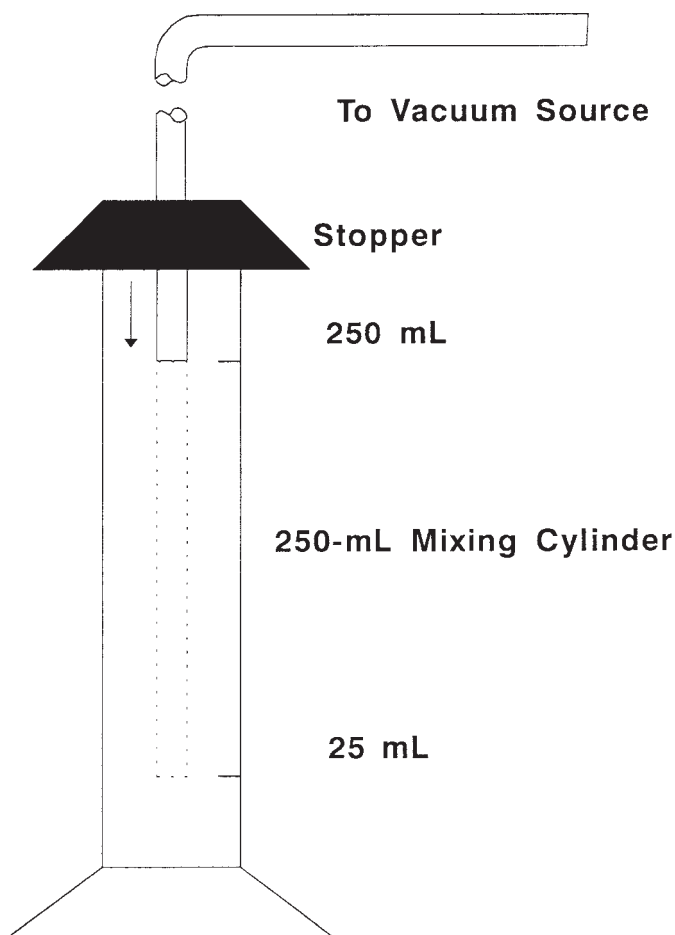


FIG. 1 Vacuum Apparatus

6.3.1 *Soft Water*, equivalent to a total hardness of 34.2 ppm as calcium carbonate ( $\text{CaCO}_3$ ). Transfer 2.50 mL of synthetic hard water stock by pipet to a 1000-mL volumetric flask and dilute to volume with water at 20°C. Mix solution thoroughly.

NOTE 2—It is recommended that total hardness be checked in accordance with Test Method MT-73, CIPAC 1, EDTA titration.<sup>4</sup> An alternate method is provided in Test Methods D 1126 where the value is represented as  $\text{CaCO}_3$ . A value within  $\pm 5\%$  of the nominal hardness value is acceptable.

6.3.2 *Hard Water*, equivalent to a total hardness of 342 ppm as calcium carbonate ( $\text{CaCO}_3$ ). Transfer 25.0 mL of synthetic hard water stock by buret to a 1000-mL volumetric flask and dilute to volume with water at 20°C. Mix this solution thoroughly (see Note 2).

6.3.3 *Extra-hard Water*, equivalent to a total hardness of 1000 ppm as calcium carbonate ( $\text{CaCO}_3$ ). Transfer 73.1 mL of synthetic hard water stock by buret to a 1000-mL volumetric flask and dilute to volume with water at 20°C. Mix this solution thoroughly (see Note 2).

6.3.4 *Other Test Waters*—Other synthetic waters can be prepared by using the following calculation:

$$\text{Desired Water Hardness} \div 13.680 = \left[ \text{milliliters of synthetic hard water stock at } 20^\circ\text{C to be diluted volumetrically to } 1000 \text{ mL with water at } 20^\circ\text{C} \right]. \quad (1)$$

6.4 *Other Carriers*—Carriers other than water may be used when appropriate.

## 7. Safety Precautions

7.1 Before testing, read the precautionary statements on the product label or the Material Safety Data Sheet (MSDS), or both. Take proper precautions to prevent skin contact and inhalation of the fines or vapors, or both. Take care to prevent contamination of the surrounding area. Always wear the appropriate safety equipment and, where indicated, wear respiratory devices approved by the National Institute of Occupational Safety and Health (NIOSH) for the product being tested.

## 8. Procedure

8.1 Each sample should be run in duplicate.

8.1.1 Weigh a 2.5-g sample into a weighing dish. Record the sample weight ( $W_1$ ) to an accuracy of  $\pm 0.01$  g.

8.1.2 Fill a 250-mL mixing cylinder to volume with test water and equilibrate to  $20^\circ\text{C} \pm 2^\circ\text{C}$ , (see Note 3).

NOTE 3—Other temperatures may be examined as defined by actual field use applications.

8.1.3 Transfer the sample from 8.1.1 to the mixing cylinder.

8.1.4 Stopper and invert the cylinder 30 times in two minutes.

8.1.5 Let the mixing cylinders stand for 1 min.

8.1.6 Remove 225 mL from the mixing cylinder using the vacuum apparatus in accordance with Section 5.4. Ensure that the tip of the suction tube remains slightly below the liquid surface while removing the 225 mL. Take care not to disturb the bottom 25-mL layer.

8.1.7 Record the tare weight of the weighing dish to an accuracy of  $\pm 0.01$  g.

8.1.8 Gently swirl the remaining suspension to loosen the hard-packed material. Transfer quantitatively to the weighing dish. Rinse the cylinder with additional test water if necessary.

8.1.9 Dry the weighing dish containing the residue from 8.1.8 in a 50°C gravity oven to a constant weight.

8.1.10 Weigh the dish from 8.1.9 to an accuracy of  $\pm 0.01$  g and subtract the tare weight to determine the dried residue weight ( $W_2$ ).

## 9. Disposal of Sample

9.1 After testing, store all materials in a safe manner and dispose of used material in accordance with product label directions or MSDS, or both.

## 10. Calculation

10.1 Calculate % dispersibility of the WG as follows:

$$\% \text{ Dispersibility} = \frac{10}{9} \times \frac{(W_1 - W_2) \times 100}{(W_1)} \quad (2)$$

where:

<sup>4</sup> "Physico-Chemical Methods for Technical and Formulated Pesticides," CIPAC Handbook, vol F, compiled by W. Dorbat and A. Martin, Collaborative International Pesticide Analytical Council Ltd., Great Britain, 1995.

$W_1$  = sample weight and,  
 $W_2$  = dried residue weight.

## 11. Report

11.1 Report percent dispersibility, ambient temperature, and water hardness.

## 12. Precision and Bias

12.1 *Repeatability*—Two results obtained by the same analyst should be considered suspect if they differ by more than 2.0 % absolute.

12.2 *Reproducibility*—Two results obtained by analysts in different laboratories should be considered suspect if they differ by more than 5.0 % absolute.

12.3 *Bias*—This test method has no bias because the value of dispersibility is defined only in terms of this test.

## 13. Keywords

13.1 dispersion; dry flowable (DF); dry flowable test methods; percent dispersibility; water dispersible granules (WG) (WDG); water dispersible granules test methods; wettable granules test methods

*ASTM International takes no position respecting the validity of any patent rights asserted in connection with any item mentioned in this standard. Users of this standard are expressly advised that determination of the validity of any such patent rights, and the risk of infringement of such rights, are entirely their own responsibility.*

*This standard is subject to revision at any time by the responsible technical committee and must be reviewed every five years and if not revised, either reapproved or withdrawn. Your comments are invited either for revision of this standard or for additional standards and should be addressed to ASTM International Headquarters. Your comments will receive careful consideration at a meeting of the responsible technical committee, which you may attend. If you feel that your comments have not received a fair hearing you should make your views known to the ASTM Committee on Standards, at the address shown below.*

*This standard is copyrighted by ASTM International, 100 Barr Harbor Drive, PO Box C700, West Conshohocken, PA 19428-2959, United States. Individual reprints (single or multiple copies) of this standard may be obtained by contacting ASTM at the above address or at 610-832-9585 (phone), 610-832-9555 (fax), or [service@astm.org](mailto:service@astm.org) (e-mail); or through the ASTM website ([www.astm.org](http://www.astm.org)).*